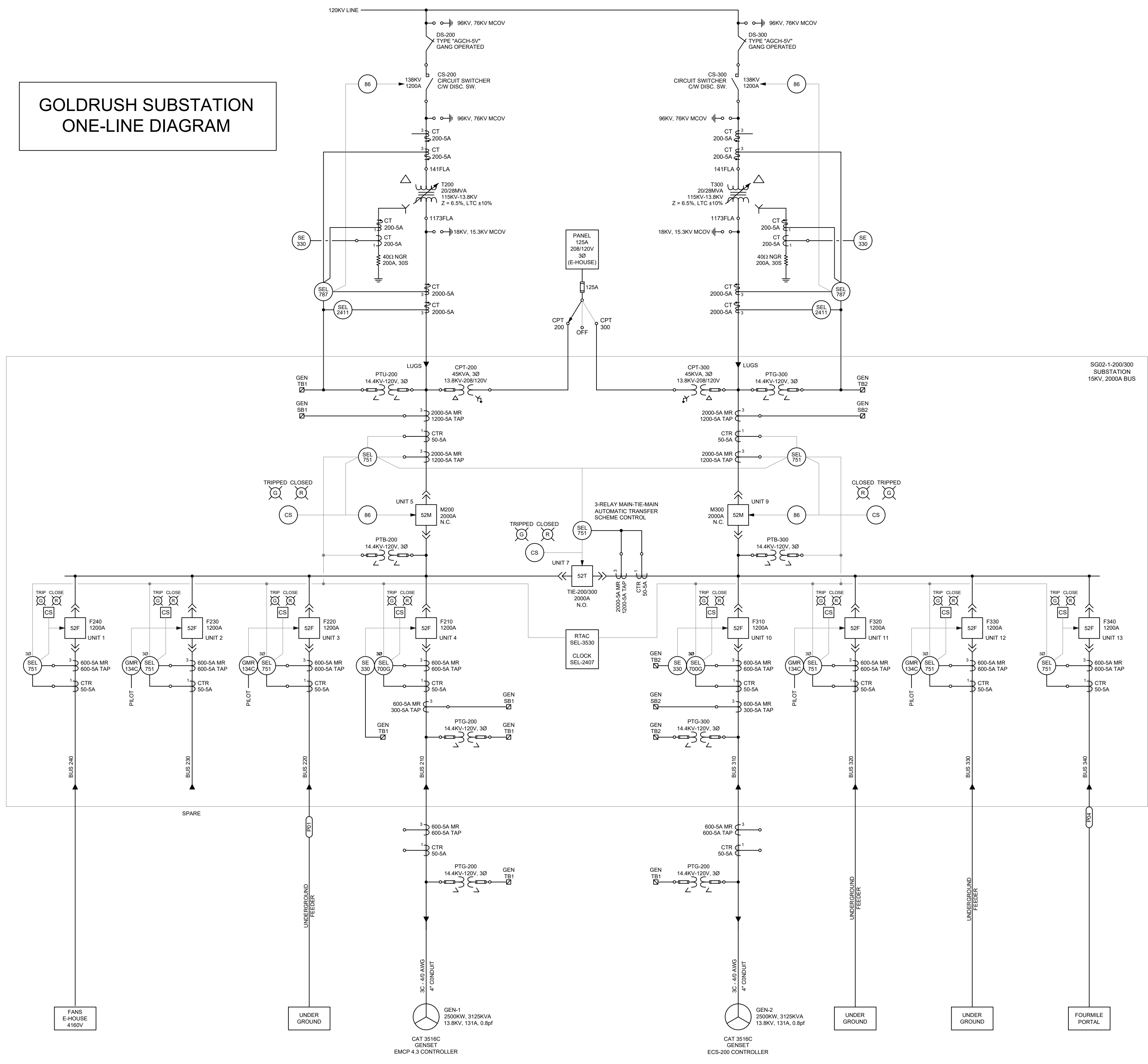


GOLDRUSH SUBSTATION ONE-LINE DIAGRAM



SG02-1-200/300
SUBSTATION
15KV, 2000A BUS

CAT 3516C
GENSET
EMCP 4.3 CONTROLLER

CAT 3516C
GENSET
ECS-200 CONTROLLER